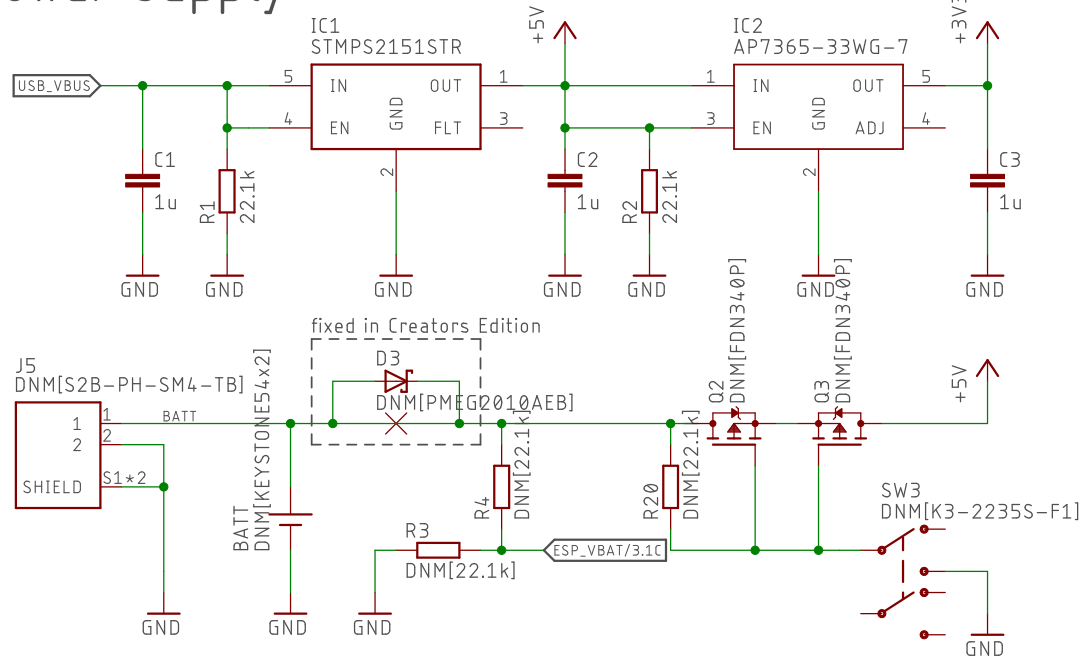
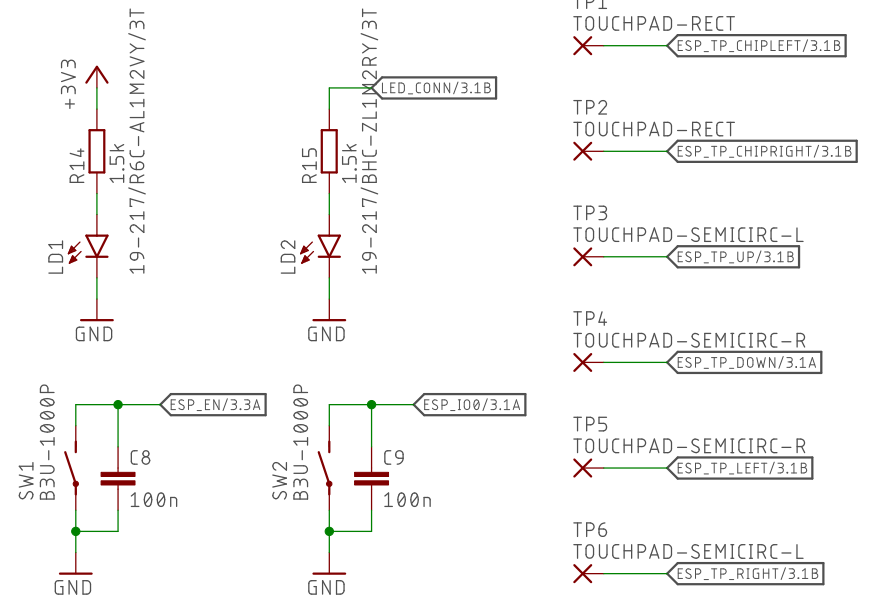


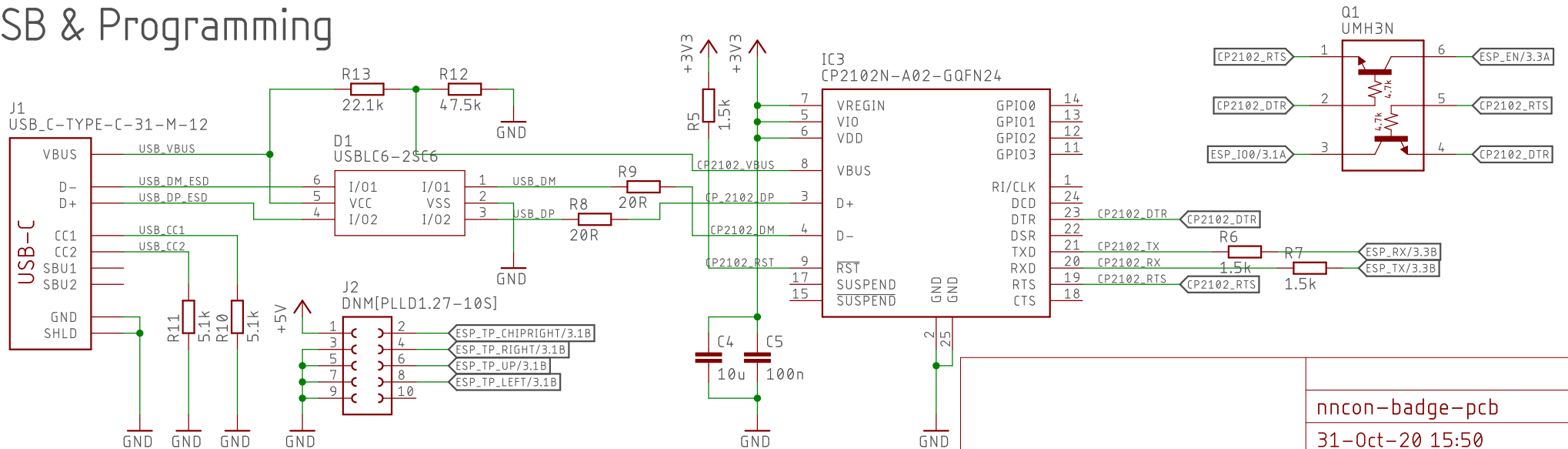
Power Supply



LEDs & Buttons



USB & Programming

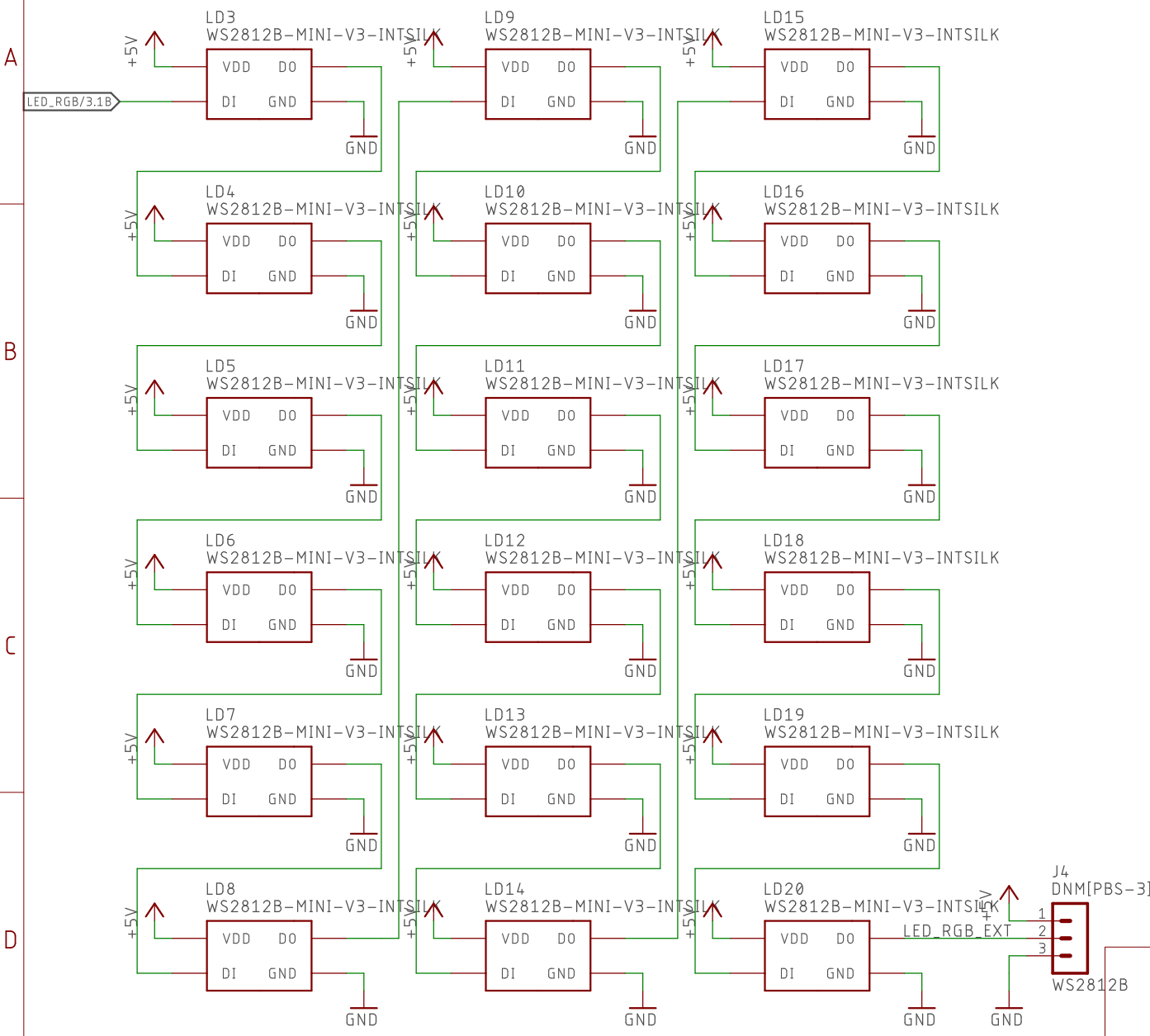


nncon-badge-pcb

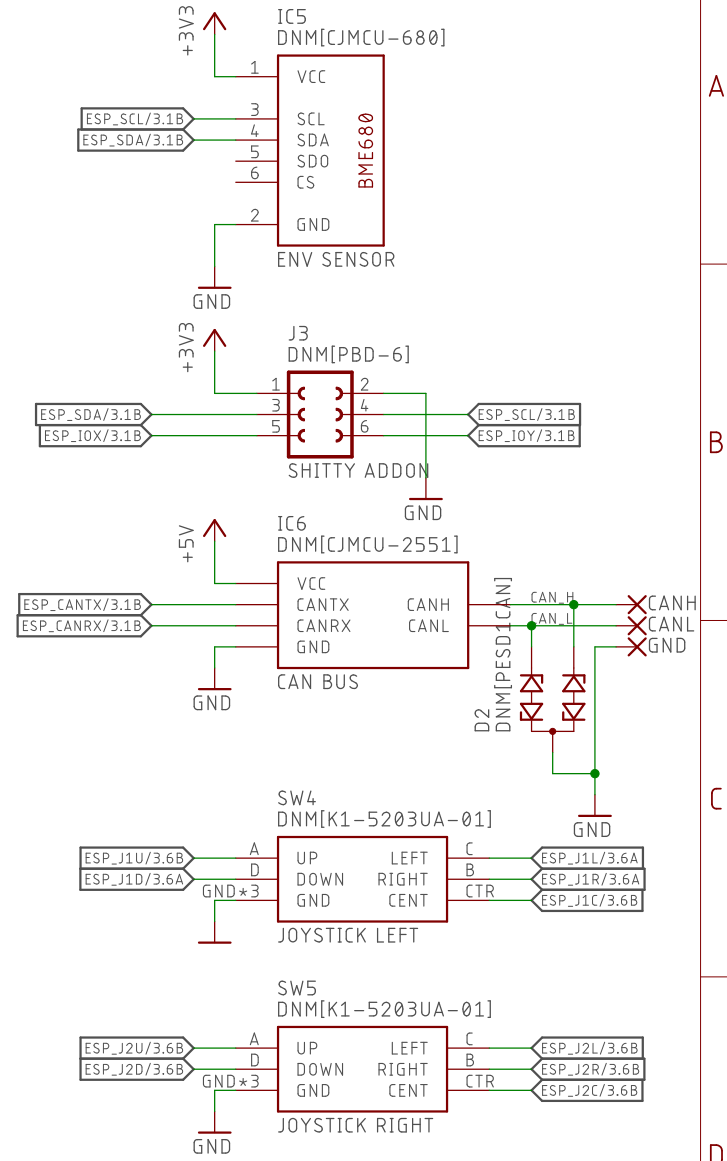
31-Oct-20 15:50

Sheet: 1/3

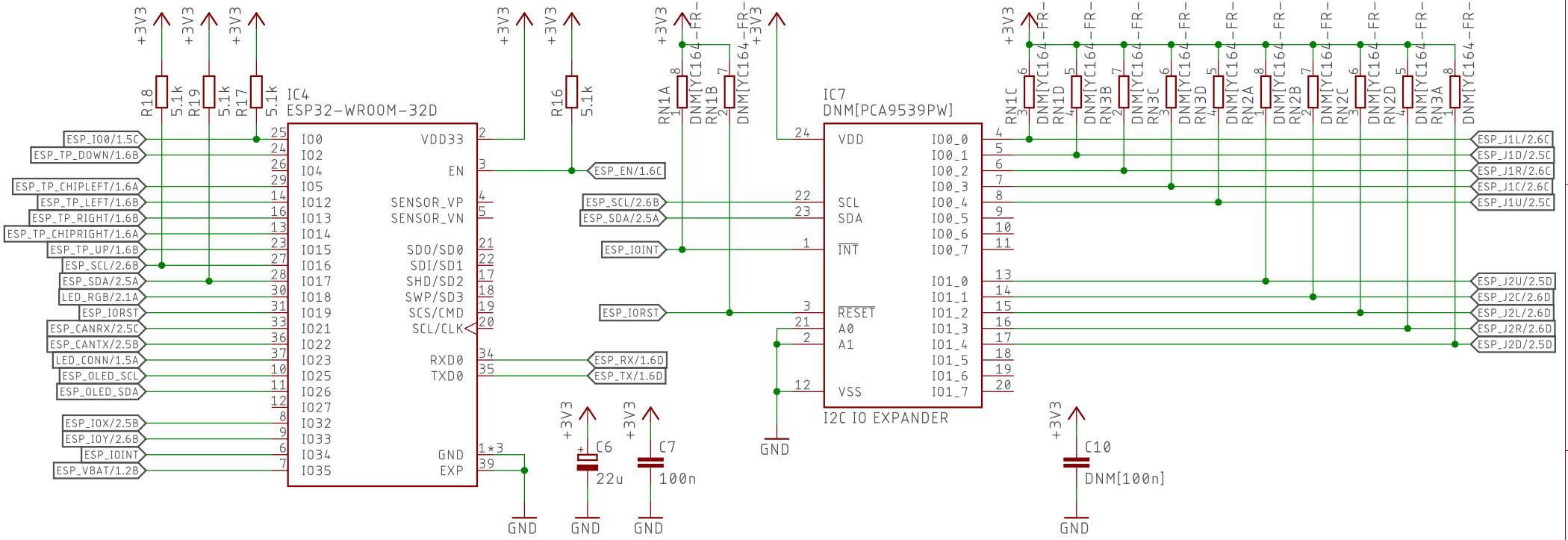
RGB LEDs



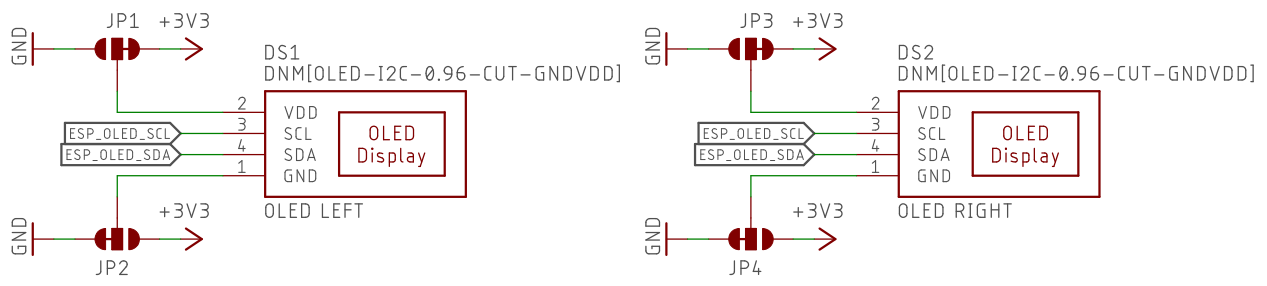
Sensors & Actuators



MCU



OLED Display



PCB



nncon-badge-pcb
31-Oct-20 15:50
Sheet: 3/3